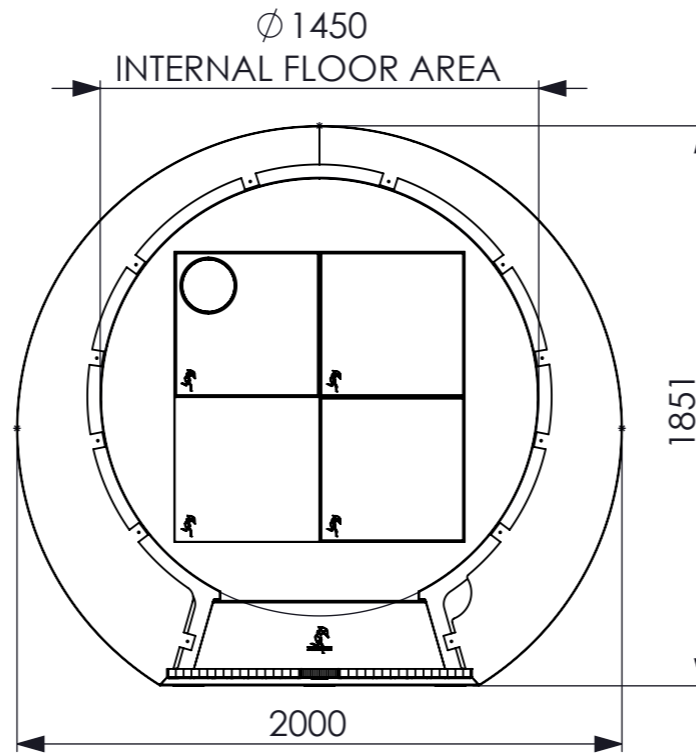
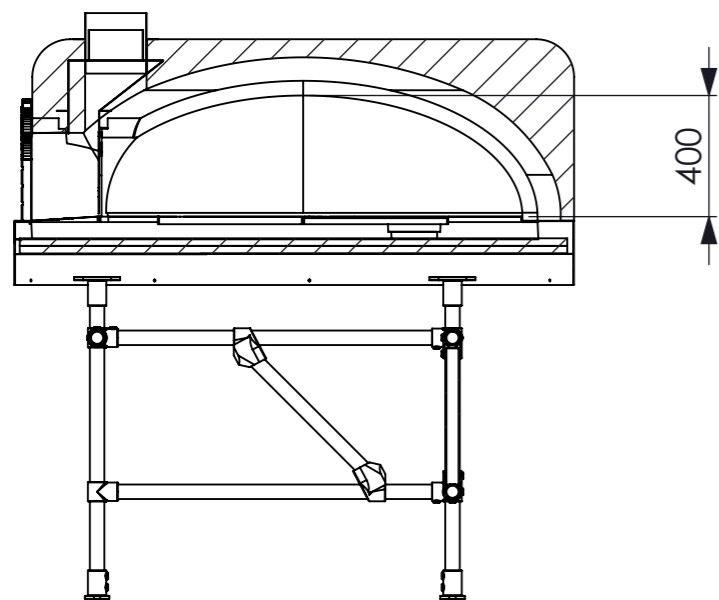
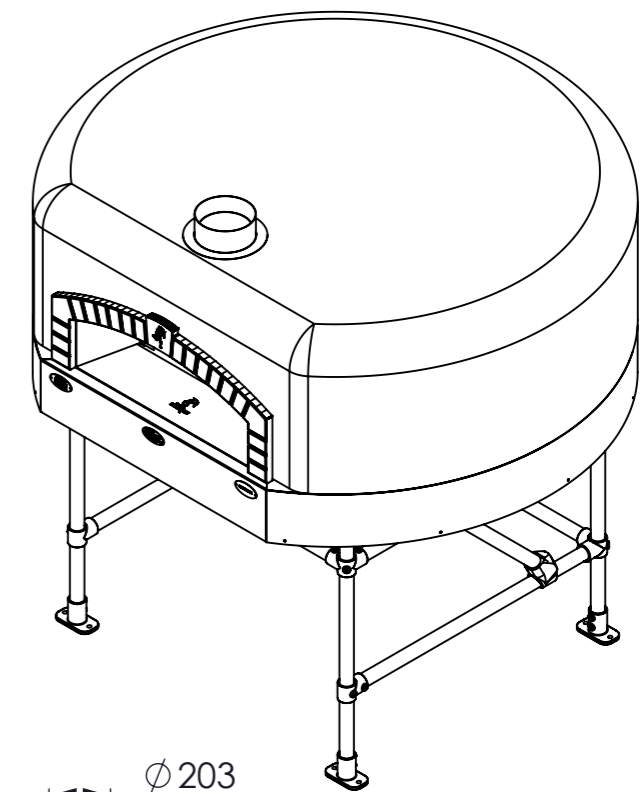


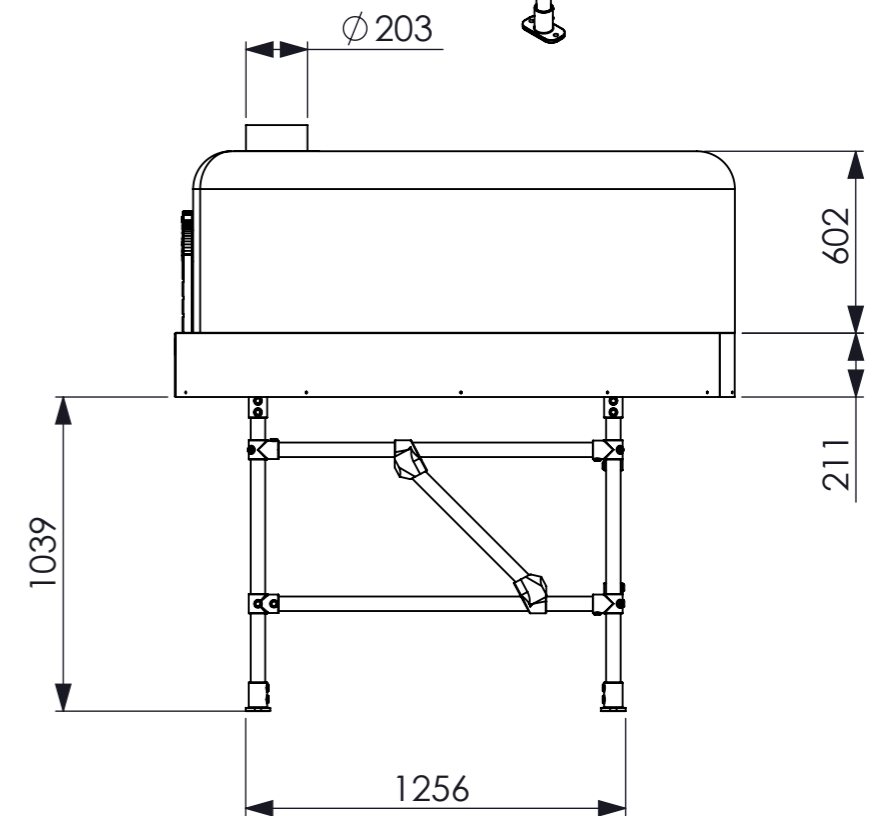
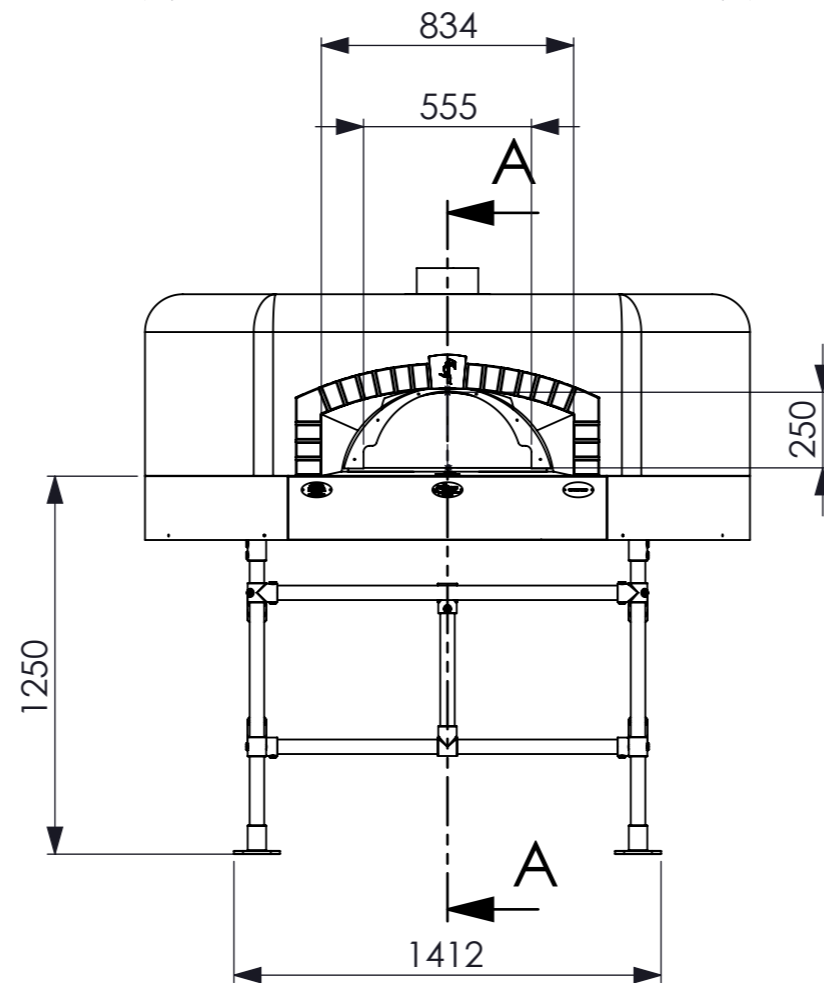
EXTRA LARGE 145cm OVEN ON GALVANISED STAND



ISOMETRIC VIEW



SECTION A-A
SCALE 1 : 25



REV.	MODIFICATION	BY	DATE
A	NEW ISSUE.	N.S.	25/03/20
THIS DRAWING HAS BEEN C.A.D. GENERATED. ANY MODIFICATIONS MUST BE NOTIFIED TO THE DRAWING OFFICE TO UPDATE MASTER COPY.			

DRN:	N.S.
DATE:	19/03/2020
SCALE:	
FINISH:	

the Bushman
Wood Fired Ovens

ALL RIGHTS ARE RESERVED ©
DATE AS PER DRAWN DATE
WWW.BUSHMANWOODFIREDOVENS.CO.UK

GENERAL DIMENSIONAL TOLERANCES (mm)			
2 DEC PLACES	ALL SIZES	+/-0.15	
1 DEC PLACE	ALL SIZES	+/-0.30	
0 DEC PLACE	0	2000	+/-0.75
	2000		+/-1.50

NOTE THESE DRAWINGS ARE THE INTELLECTUAL PROPERTY OF DINGLEY DELL ENTERPRISES LTD THEY MAY NOT BE DISTRIBUTED TO ANY 3RD PARTY WITHOUT THE EXPRESS PERMISSION OF THE MANAGING DIRECTOR.

DINGLEY DELL ENTERPRISES LTD 2018
20 BARNETTS CLOSE, KIDDERMINSTER
WORCESTERSHIRE DY10 3DG.

TITLE: 145 EXTRA LARGE OVEN ON STAND G.A.	
PROJECT:	
SHEET 1 OF 1	DRG.NO. DDE0375
MATERIAL: Material (not specified)	REV: A